

Notes:

- (1) Use 38 mm minimum concrete cover.
- (2) Use concrete mix with 28-day compressive strength of 31 MPa.
- (3) Use Grade 60 steel reinforcement.
- (4) Tubular rail dimensions and spacings are shown in TRP-03-162-07 design details

MOBRR-1

MOBRR-2



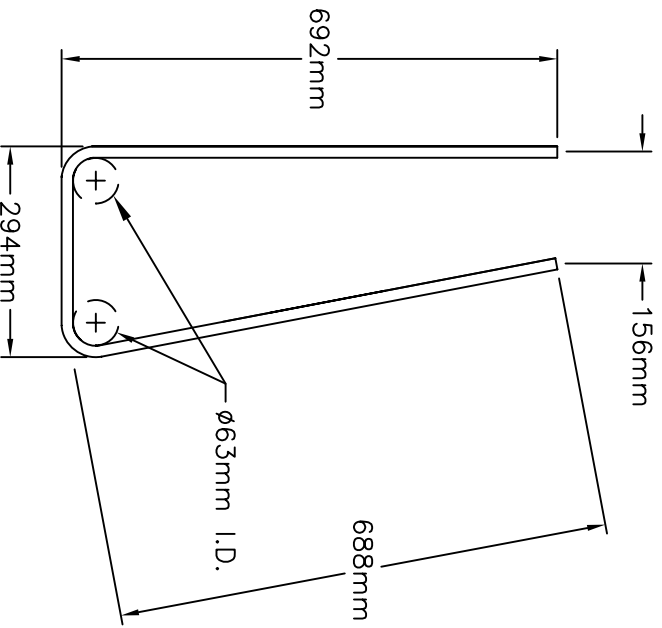
Midwest Roadside  
Safety Facility

Combination Traffic/Bicycle  
Bridge Rail  
Design Details  
Rail Details

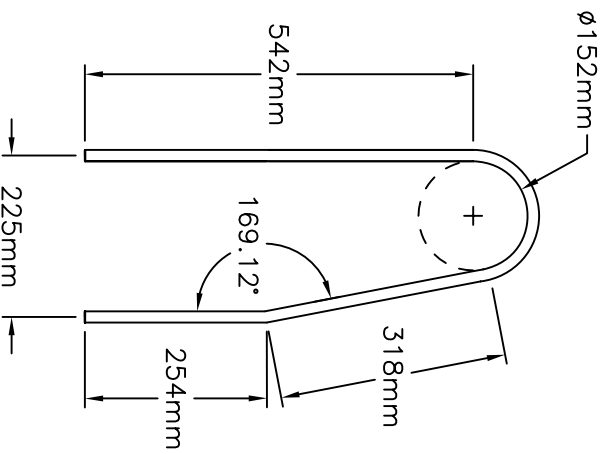
Drawing Name:  
mobrland2\_detail.dwg

Scale:  
None

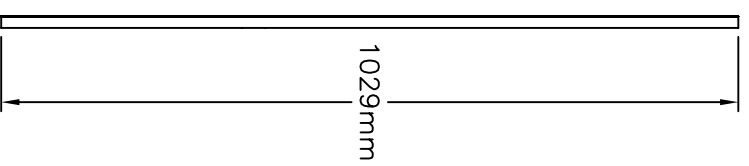
Sheet:	1 of 2
Date:	3-12-2007
By:	CME
Rev:	RKF/CME



501



502



503

Shape	Quantity	Length
501	181	1.7 m
502	181	1.3 m
503	94	1 m
505	56	6.1 m



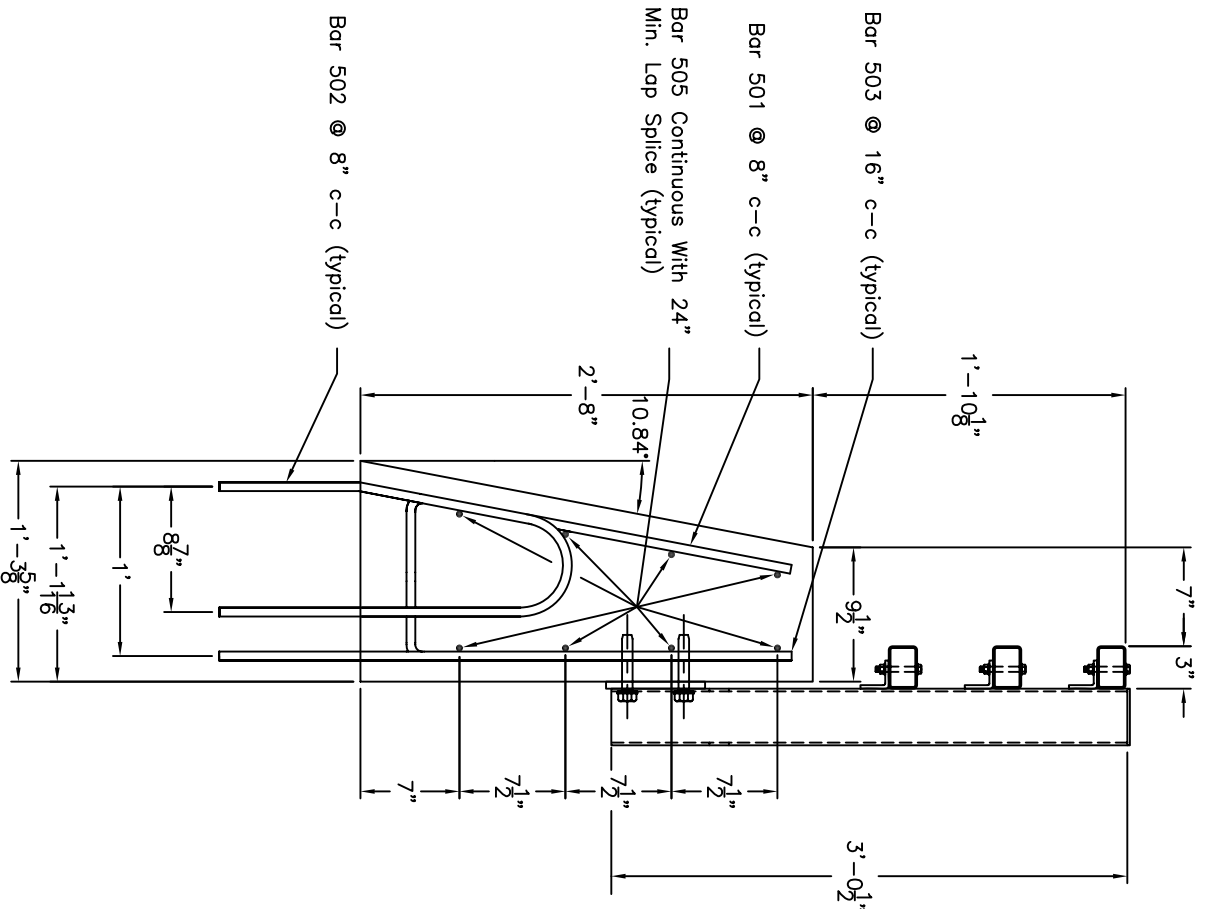
Midwest Roadside  
Safety Facility

Combination Traffic/Bicycle  
Bridge Rail  
Bill of Bars

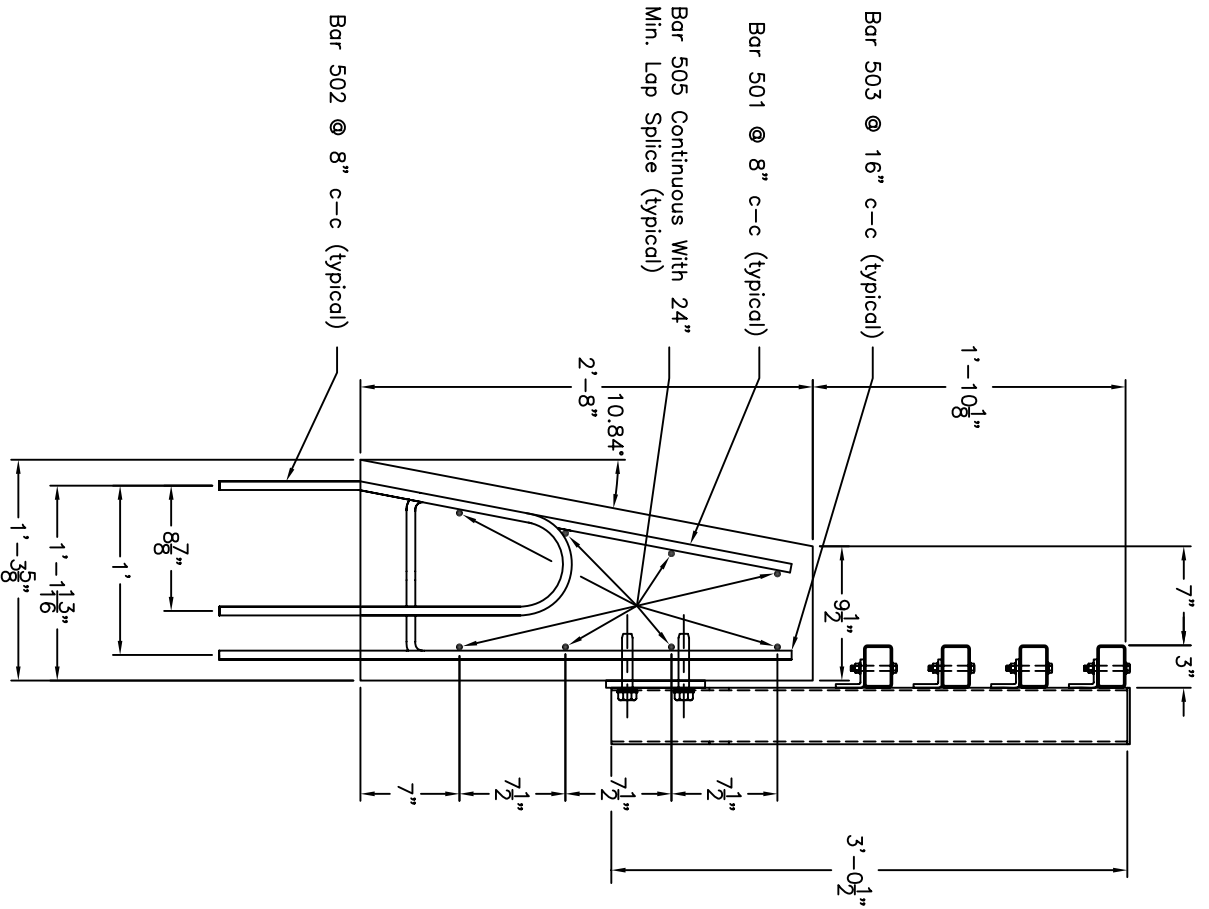
Drawing Name:  
mobr1and2\_detail.dwg

Scale:  
None

Sheet:  
2 of 2  
Date:  
3-12-2007  
By:  
CME  
Rev:  
RKF/CME




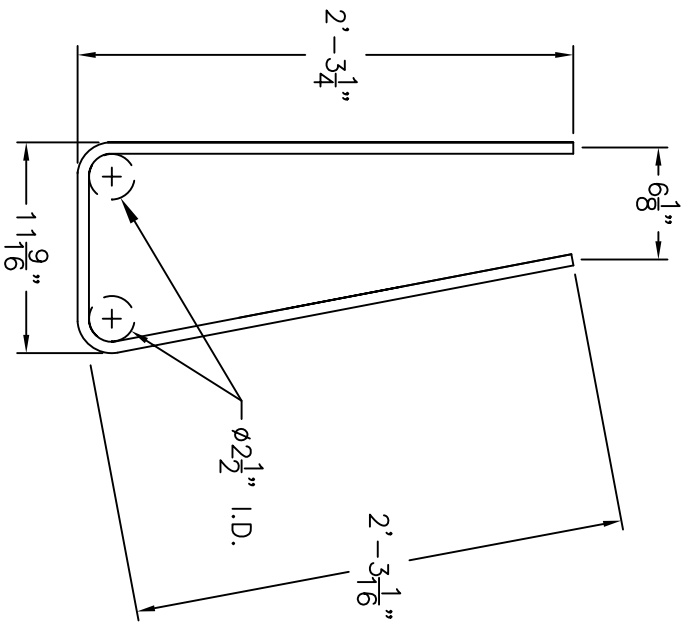
MOBRR-1



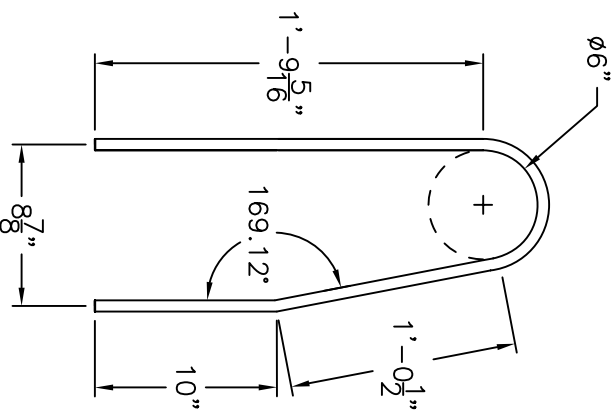
MOBRR-2

- Notes:
- (1) Use 1 1/2" minimum concrete cover.
  - (2) Use concrete mix with 28-day compressive strength of 4500 psi.
  - (3) Use Grade 60 steel reinforcement.
  - (4) Tubular rail dimensions and spacings are shown in TRP-03-162-07 design details

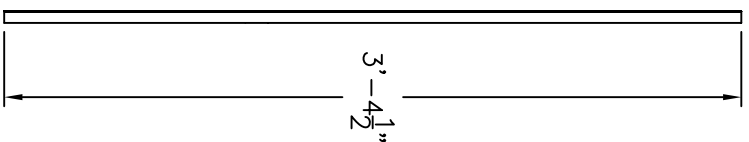
	Drawing Name: mobrland2_detail.dwg		Scale: None	Rev: RKF/CME
	Design Details Rail Details		Date: 3-12-2007	By: CME
Combination Traffic/Bicycle Bridge Rail		Sheet: 1 of 2		



501



502



503

Shape	Quantity	Length
501	181	5'-6"
502	181	4'-5"
503	94	3'-4 1/2"
505	56	20'



Midwest Roadside  
Safety Facility

Combination Traffic/Bicycle  
Bridge Rail

Bill of Bars

Drawing Name:  
mobr1and2\_detail.dwg

Scale:  
None

Sheet:  
2 of 2

Date:  
3-12-2007

By:  
CME

Rev:  
RKF/CME